

Data sheet : **Relay-Base Series ZMD**

Screw terminal socket designed for use with D Series miniature plug-in relays (model D2N & D4N). Mounting can be arranged either directly on panel or via DIN-46377 Omega rail. Screw terminals with jaw-type IP20 finger-protected rising clamps. Its reduced lateral dimension is ideally suited for high-density DIN-Rail applications. Suited to accept plug-in indication and/or protection modules. An optional plastic retaining clip, acting also as a relay ejecting device, is available. Clip-on identification tab supplied as standard.

SPECIFICATION

Rating : 12A - 300VAC (2 pole)
6A - 300VAC (4 pole)

Insulating resistance : $\geq 1000 \text{ M}\Omega$

Dielectric strength : $\geq 2 \text{ KV AC}$

Dimensions : 76x27x43 mm

Connections material : nickel plated brass

Body plastic : glass-filled PA6

UL94 Rating : V2

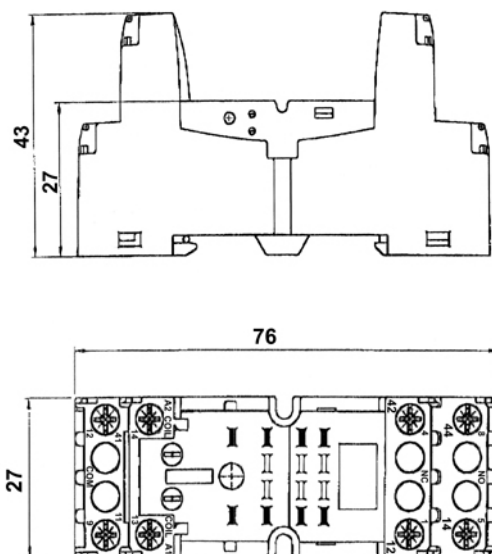
Enclosure classif. (IEC 144) IP20

Approvals: UL , cUL

Available Accessories :	
Plastic ejector & retaining clip	Type MPD
LED module	Type ML
LED & diode module	Type MLD
Diode module	Type MD
Varistor module	Type MV
LED & varistor module	Type MLV
Resistor & capacitor module	Type MRC

Available Types :

ZMD2 (2 pole)



ZMD4 (4 pole)

